

# High Frequency Portable X-ray Unit

# PORTA100 HF



## You've found it !

Compact and light weight X-ray machine,  
that is absolutely dependable, high-performance and affordable.

### FEATURES

- **Compact & Light Weight**  
Size: 160 mm(H) x 161 mm(W) x 300 mm(L) or 6.29 in(H) x 6.33 in(W) x 11.81 in(L)  
Weight: 9.2 kg or 20.3 lbs
- kV and mAs selectors adopted a rotary switch system for easy and quick selection of kV and mAs.
- APR switch stores 8 examination parts and corresponding exposure data (kV/mAs) in order to avoid an annoyance from referring these data to the radiographic chart every time.
- Automatic mAs control technique keeps always a real kV selected on the panel in order to obtain an expected picture result even at the place where a certain drop of the line voltage occurs by the high impedance such as from the use of an extremely long extension cable.

## for Human Use

### SPECIFICATIONS

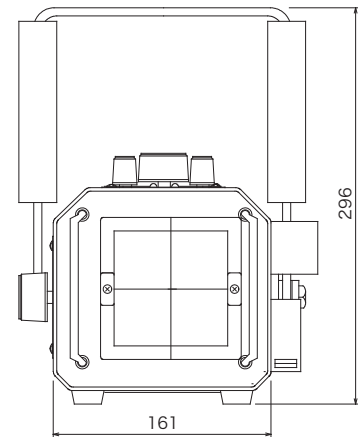
<b>Rating</b>	30 mA/40-66 kV 20 mA/68-100 kV
<b>Generator</b>	Inverter control type, 2 kW output
<b>kV setting</b>	40-100 kV (2 kV step). Rotary switch for digital display with 7 segment LED.
<b>mAs selection</b>	0.3-50 mAs (32 settings) Rotary switch for digital display with 7 segment LED. 0.3, 0.4, 0.5, 0.6, 0.7, 0.8, 0.9, 1.0, 1.1, 1.2, 1.3, 1.4, 1.5, 1.6, 1.7, 1.8, 1.9, 2.0, 2.5, 3.2, 4.0, 5.0, 6.4, 8.0, 10, 12, 16, 20, 25, 32, 40, 50 mAs
<b>X-ray tube</b>	a) Focal spot: 1.2 mm x 1.2 mm b) Anode heat storage capacity: 20 kHU c) Target angle: 16 degrees
<b>Total filtration</b>	2.5 mm Al eq. at 100 kV
<b>Power requirement</b>	AC100-120 V/30 A or AC200-240 V/16 A
<b>Collimator</b>	A field lamp with a 30 sec. timer and a cross indication line.
<b>Line cable</b>	3 meters long.
<b>Hand switch</b>	Two stage, deadman type with curled cable. (3 meters long at full extension)
<b>Optimum ambient conditions</b>	Temperature : 20 ± 15°C Humidity : 69 ± 20%

SPECIFICATION & DESIGN ARE SUBJECT TO CHANGE WITHOUT NOTICE.

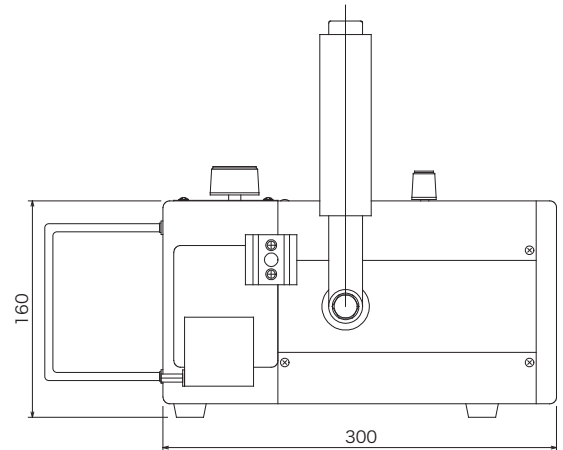


### DRAWING

UNIT:mm



FRONT



SIDE

Made in Japan

**FDA** **CE**  
510(k) Cleared 0120



### JOB CORPORATION

HEAD OFFICE  
1-19-8 SHINYOKOHAMA, KOHOKU-KU,  
YOKOHAMA, KANAGAWA 222-0033 JAPAN  
TEL +81-45-473-0113 FAX +81-45-473-0108  
URL: <http://www.job-image.com> E-mail: info@job-image.com

